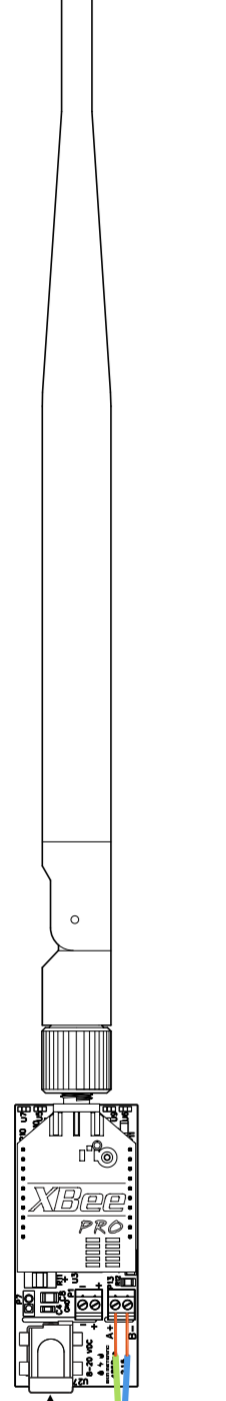



485Bee

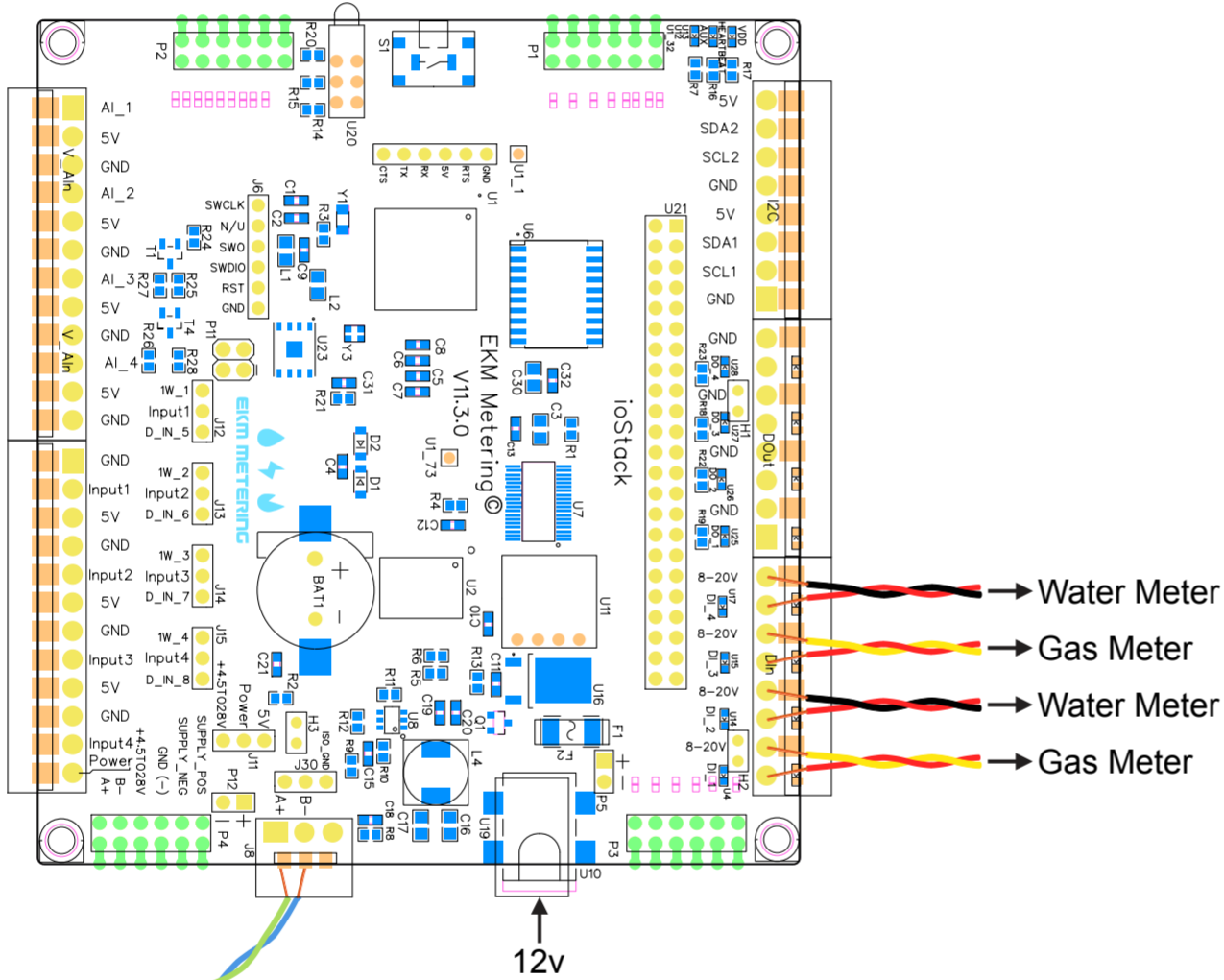


12v

 Twisted pair wires. Can be found in CAT5/6 cable. Runs can be up to 4000 feet long. A run could be between an Omnimeter and a 485Bee, between the Push3 and a ioStack, a daisy-chain of Omnimeters and ioStacks, etc.

Up to 128 ioStacks and Omnimeters can be daisy chained, on the same RS-485 bus, to each Push3 gateway and/or 485Bee.

The distance between 485Bees can be up to 600 feet under standard conditions, more if conditions are optimized. The viable distance will decrease based on environmental factors, e.g. obstacles between the 485Bees that impede the data transmission. Additional 485Bees can be added to create a mesh network, which make it possible to bounce the transmission around or over obstacles.



485Bee



12v

